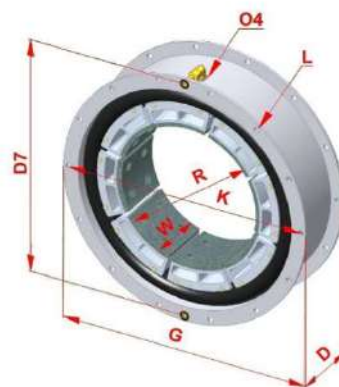


## ELEMENTO PNEUMÁTICO EI-IV

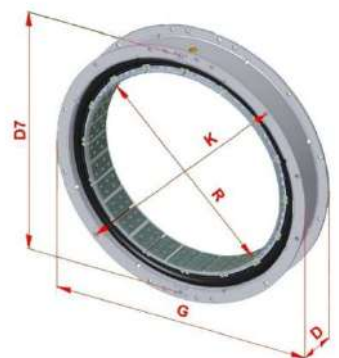
TAMANHOS DE 4 a 10



Modelos	Torque N.m a 5,2 bar	K	D	R	D7	G	L		W		O4 NPT
							Nº	Dia.	Nº	Larg	
<b>Medidas em mm</b>											
<b>06 EI-IV 4</b>	128	254,0	78,0	105	254,0	273,1	8	10,0	6	51	3/8" 18
<b>08 EI-IV 6</b>	314	308,0	91,0	156	308,0	327,0	8	10,0	8	65	3/8" 18
<b>10 EI-IV 8</b>	618	371,5	108,8	207	371,5	390,5	12	10,0	10	76	3/8" 18
<b>12 EI-IV 10</b>	1128	428,6	124,0	257	428,6	447,7	14	10,0	8	90	3/8" 18

## ELEMENTO PNEUMÁTICO EIV

TAMANHOS DE 26 a 48



Modelos	Torque N.m a 5,2 bar	K	D	R	D7	G	L		W		O4 NPT
							Nº	Dia.	Nº	Larg	
<b>Medidas em mm</b>											
<b>26 EIV</b>	14.340	849,3	176,0	665,0	835,0	882,7	12	18,0	24	121,0	3/8" 18
<b>30 EIV</b>	20.360	965,2	183,0	767,0	953,0	1.000,1	12	21,0	28	127,0	1/2" 14
<b>35 EIV</b>	28.590	1.127,1	196,0	894,0	1.111,0	1.165,2	12	21,0	32	127,0	3/4" 14
<b>40 EIV</b>	40.090	1.266,8	214,0	1.021,0	1.251,0	1.304,9	12	21,0	36	140,0	3/4" 14
<b>48 EIV</b>	66.570	1.473,2	230,0	1.224,0	1.454,0	1.511,3	16	21,0	42	165,0	3/4" 14